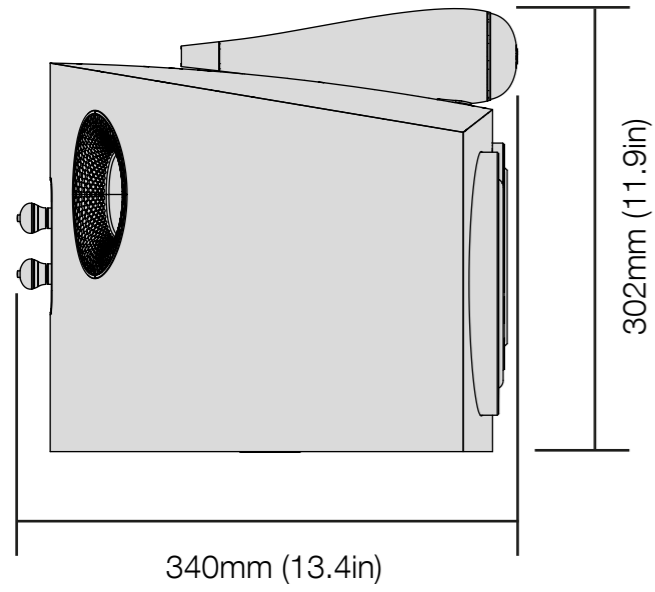


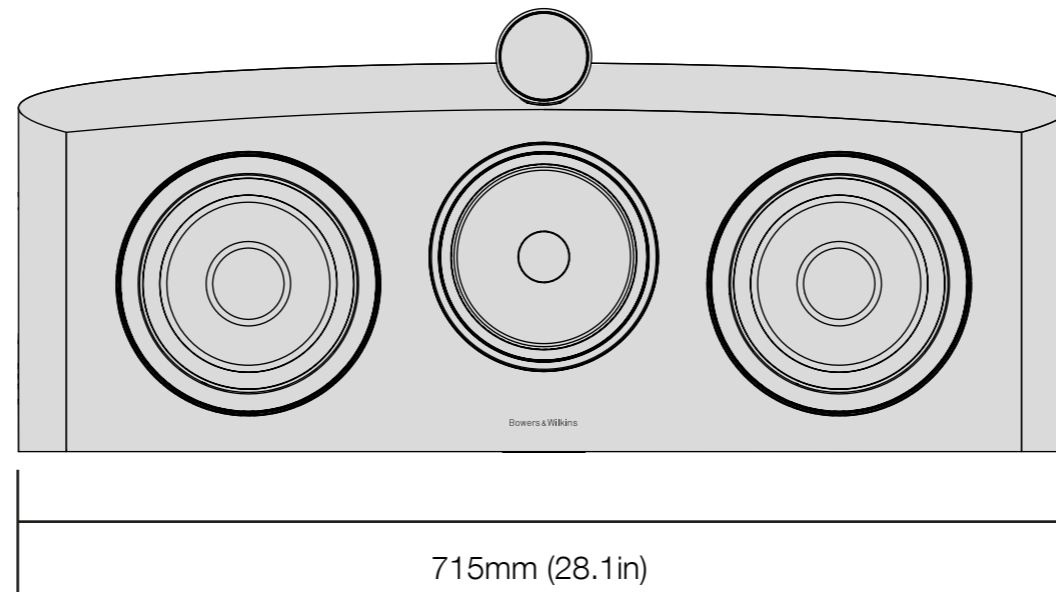
Bowers & Wilkins

HTM2 D3

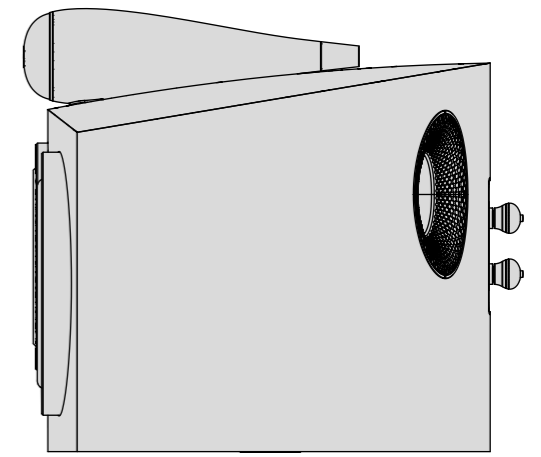
SIDE



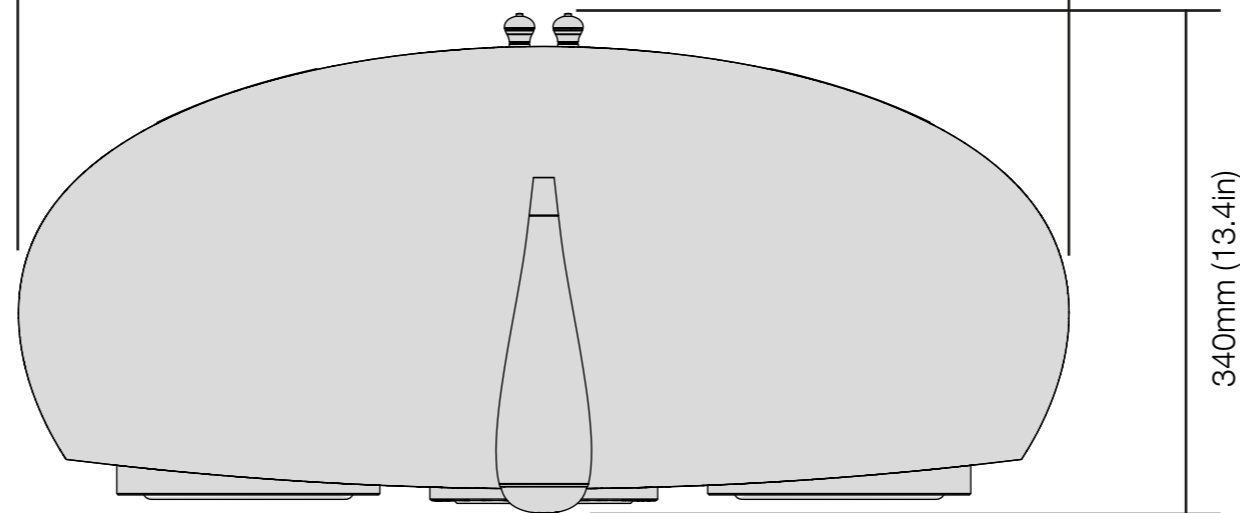
FRONT



SIDE



TOP



BACK

